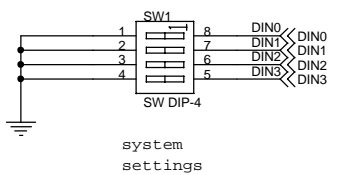
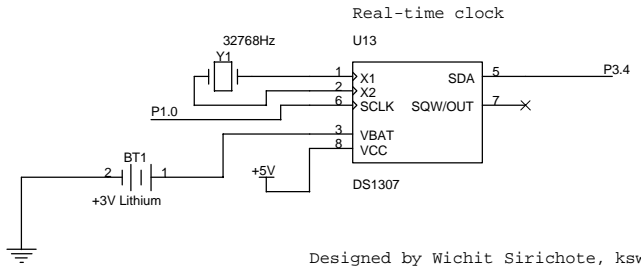
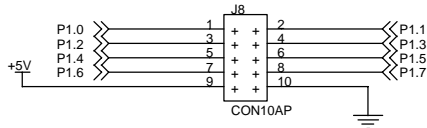
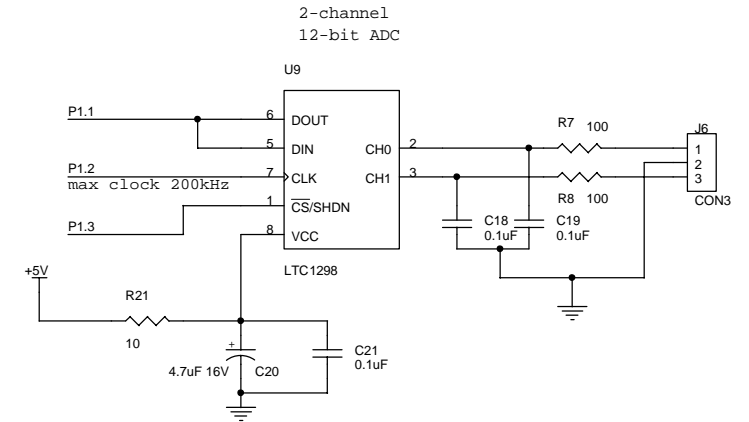
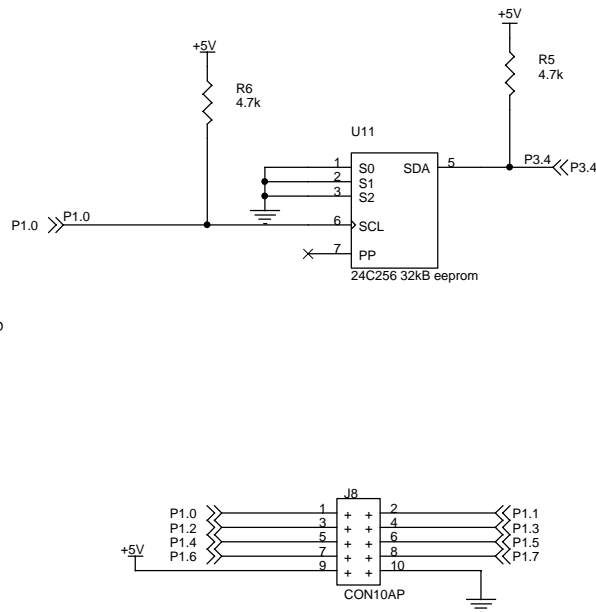
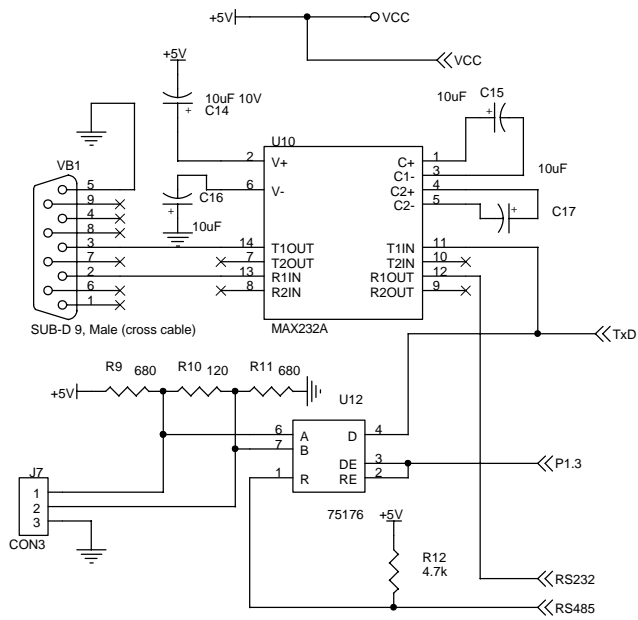
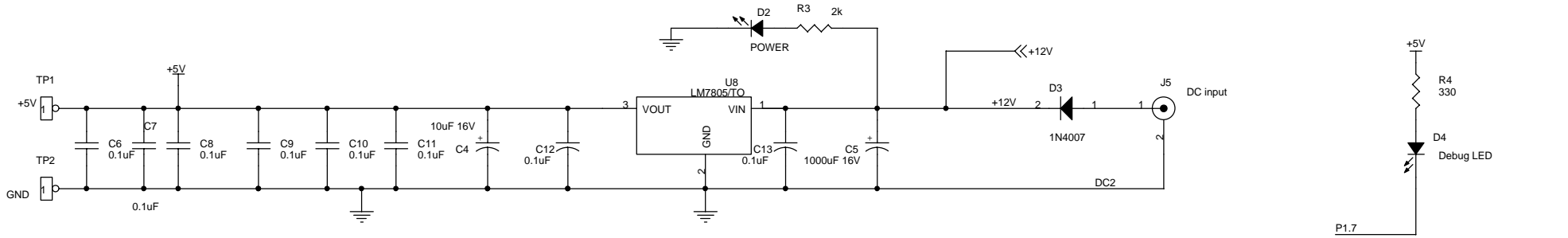


memory mapped I/O using external data memory

0x0000	lcd command write
0x0001	lcd data write
0x0002	lcd command read
0x0003	lcd data read
0x0100	GPIO1/OUTPUT PORT
0x0200	GPIO2/INPUT PORT
0x0400	GPIO3/OUTPUT PORT
0x0300	8255 PORTA
0x0301	8255 PORTB
0x0302	8255 PORTC
0x0303	8255 PORT CONTROL

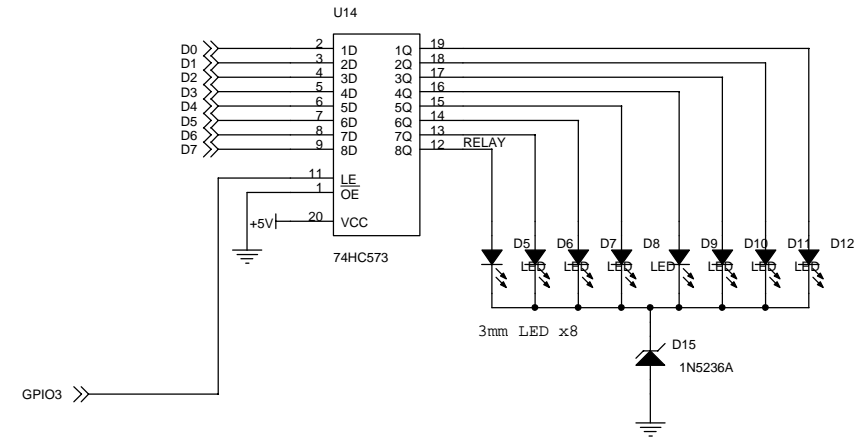
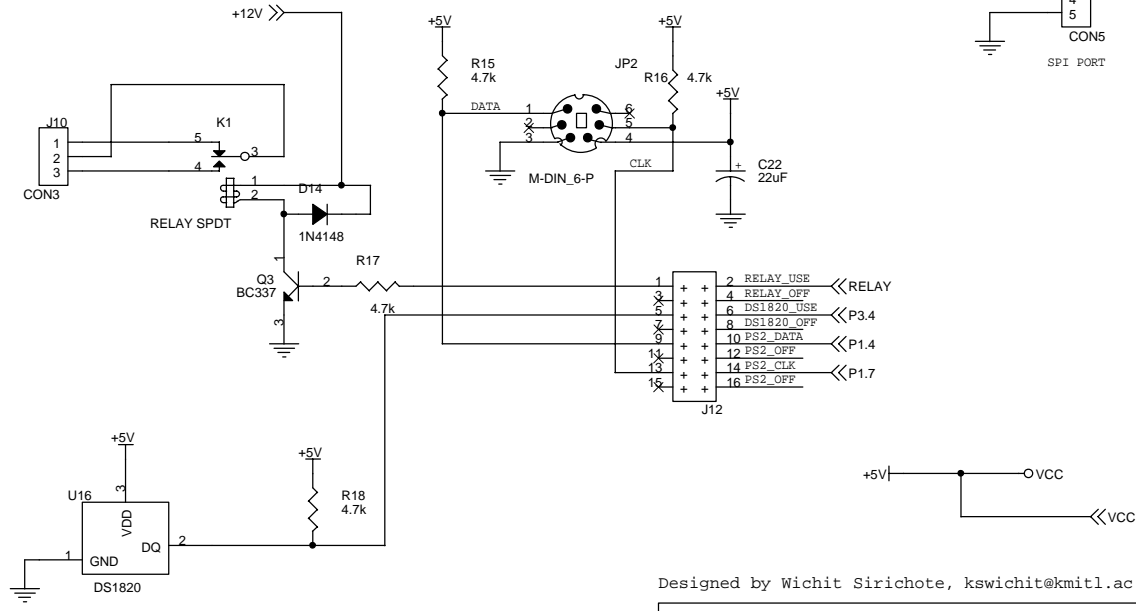
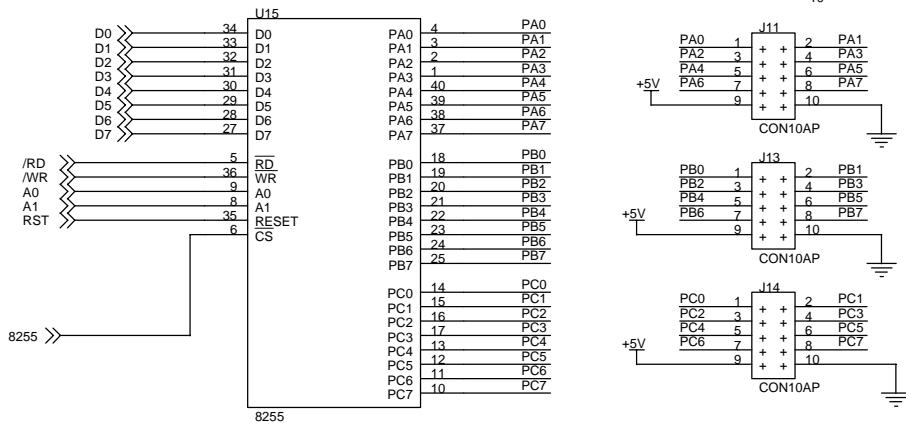
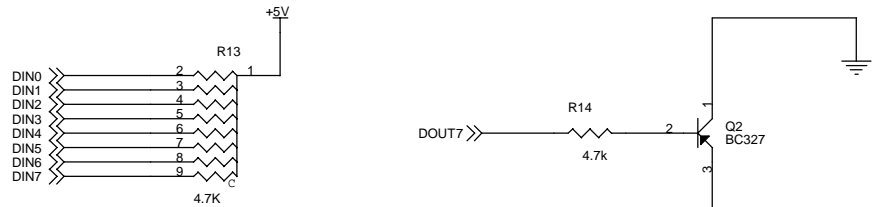
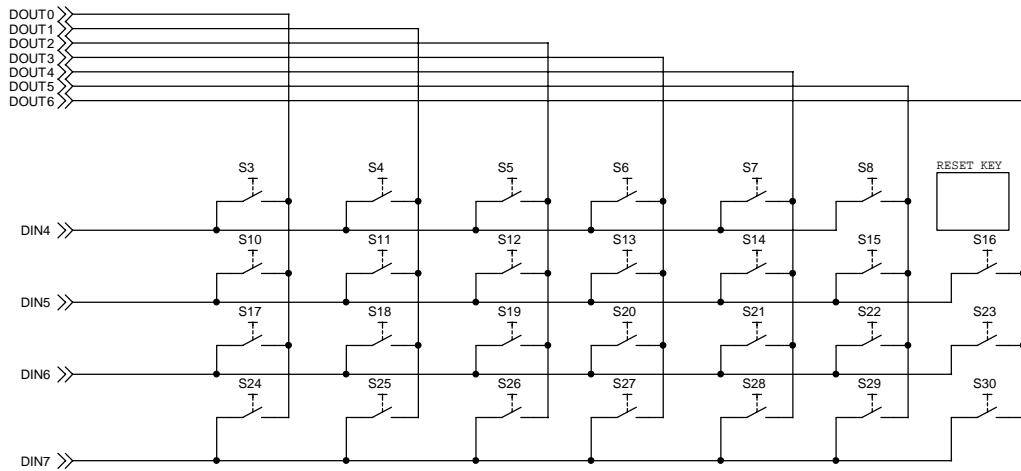
Title		
MTK51 8051 MICROCONTROLLER TRAINER KIT		
Size B	Document Number <Doc>	Rev 2
Date: Sunday, July 26, 2009	Sheet 1	of 3

Designed by Wichit Sirichote, kswichit@kmitl.ac.th



Designed by Wichit Sirichote, kswichit@kmitl.ac.th

Title		
MTK51 8051 MICROCONTROLLER TRAINER KIT		
Size B	Document Number <Doc>	Rev 2
Date: Sunday, July 26, 2009	Sheet 2	of 3



Designed by Wichit Sirichote, kswichit@kmitl.ac.th

Title		
MTK51 8051 MICROCONTROLLER TRAINER KIT		
Size	Document Number	Rev
B	<Doc>	2
Date:	Sunday, July 26, 2009	Sheet 3 of 3